

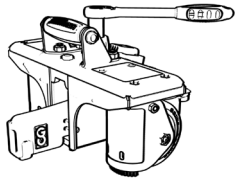
SCORPION III

Quick Start Guide

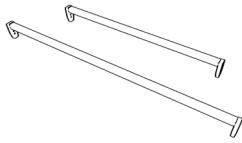


1

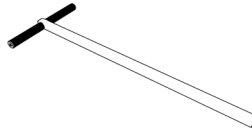
Unpack Scorpion III skates and accessories.



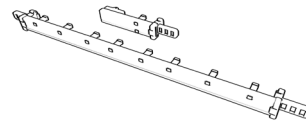
Scorpion III skates



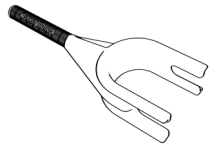
Connector bars



Push bars



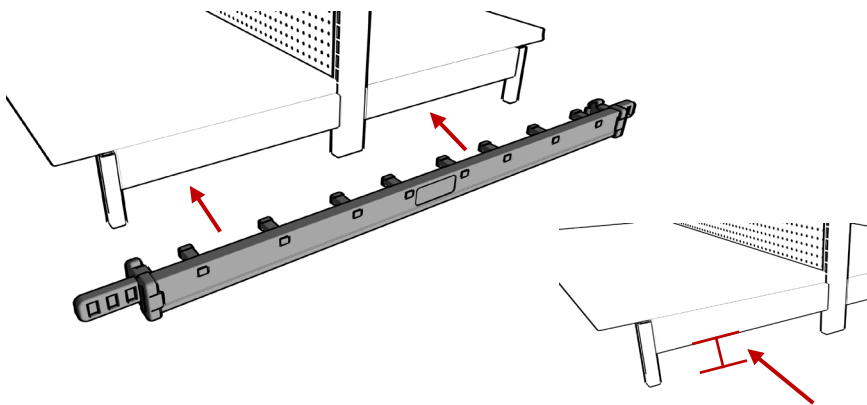
Lift bars and extensions



Steering tools

2

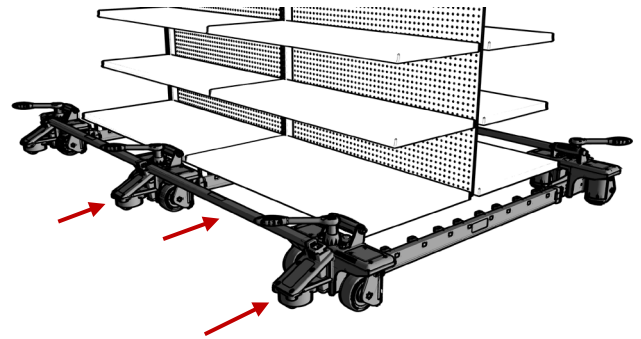
Place lift bar under gondola so no pins are visible past gondola leg. Add lift bar extensions if shelves are unequal depths.



Lift bar pin position differs depending on base beam clearance..

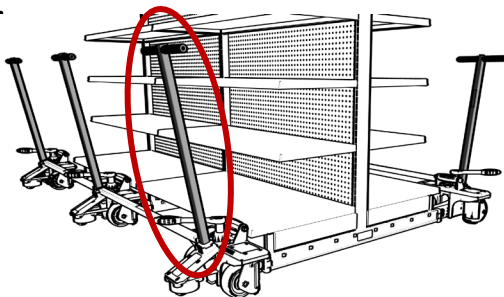
3

Attach a skate to each end of the lift bar. Connect each skate with connector bars.



4

Using the ratchet, raise lift mechanism to lift fixture. Mobilize using push bar inserted into skates.



5

Lower fixture. Remove skates and lift bars.

