

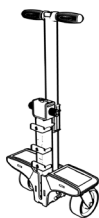
RHINO II

Quick Start Guide

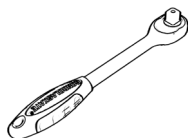


1

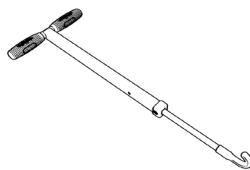
Unpack Rhino II skates and accessories.



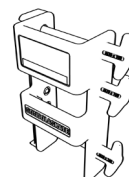
Rhino II skates



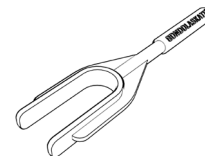
Drive ratchets



Pull bars



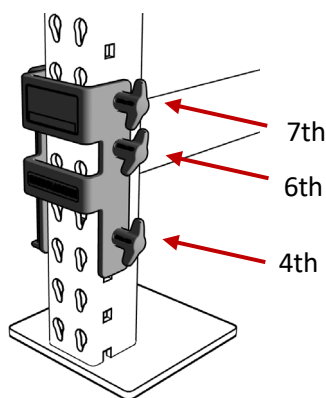
Adapter yokes



Steering tools

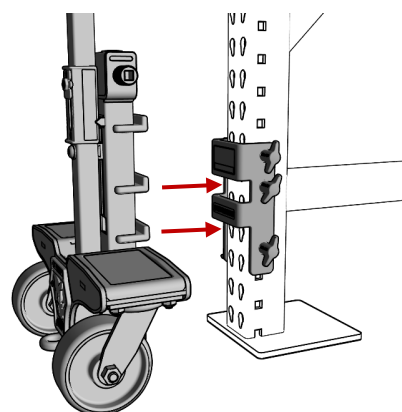
2

Install adapter yokes to each pallet rack upright by inserting the pins into the 4th, 6th, and 7th pin holes.



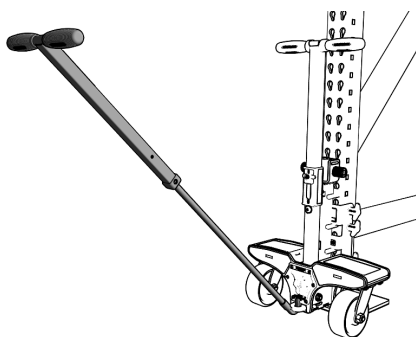
3

Install each skate by inserting the bottom two lift hooks into the adapter yoke openings. Use the lift mechanism until fully engaged.



4

Using ratchet, raise lift mechanism to lift fixture. Mobilize using pull bar inserted into pull hook on skates.



5

Lower the fixture, remove skates, and then remove adapter yokes.

