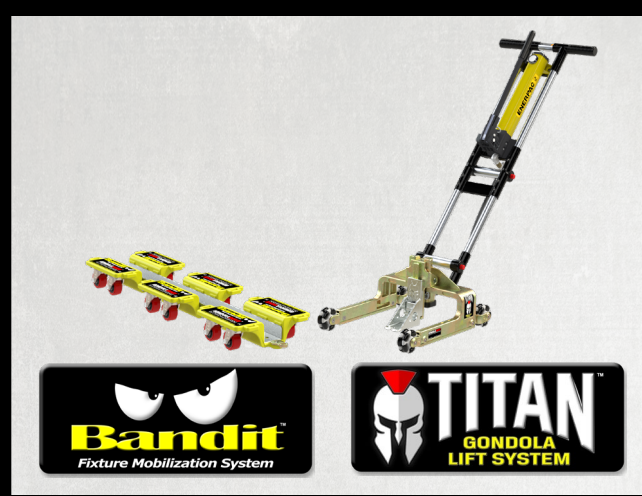


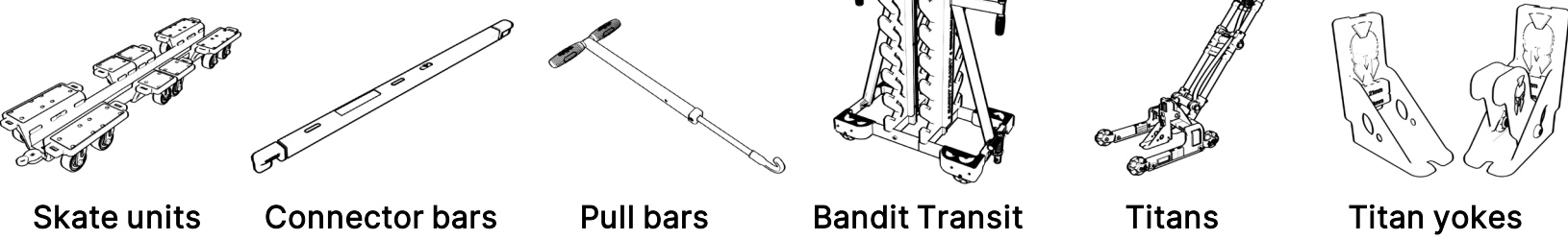
BANDIT AND TITAN

Quick Start Guide



1

Unpack Bandit skate units, Titans, and accessories.



Skate units

Connector bars

Pull bars

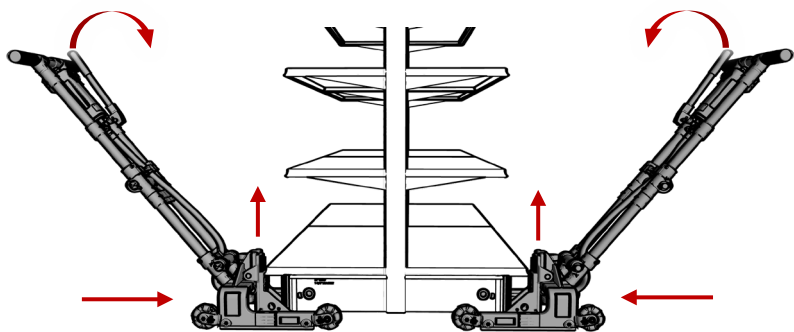
Bandit Transit

Titans

Titan yokes

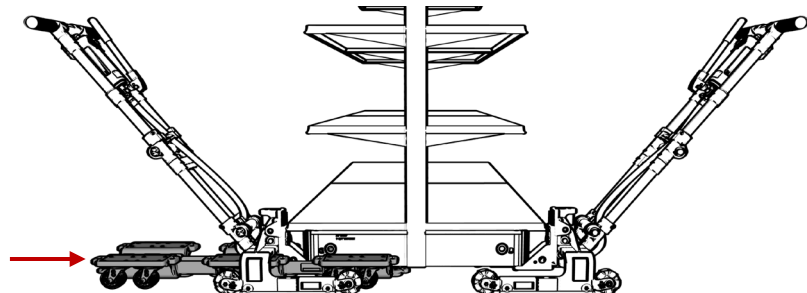
2

Slide the yoke under the gondola. Lift both sides of the fixture simultaneously using the hydraulic pump lever.



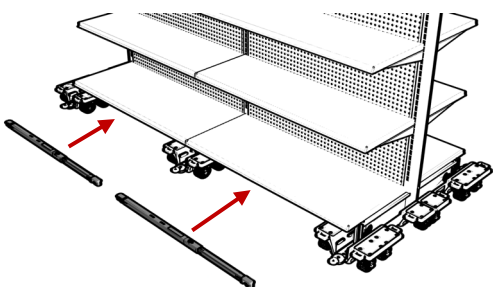
3

Slide skate unit between the space in Titan base. Slowly loosen the release valve to lower fixture onto skate unit.



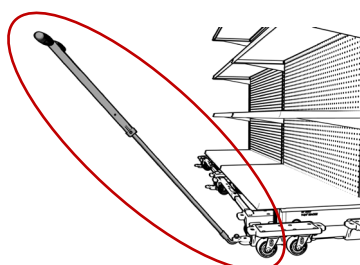
4

Connect each skate unit with connector bars.



5

Remove the connector bars, and then remove skate units.



Mobilize fixture using pull bar inserted into pull hooks on skate.

